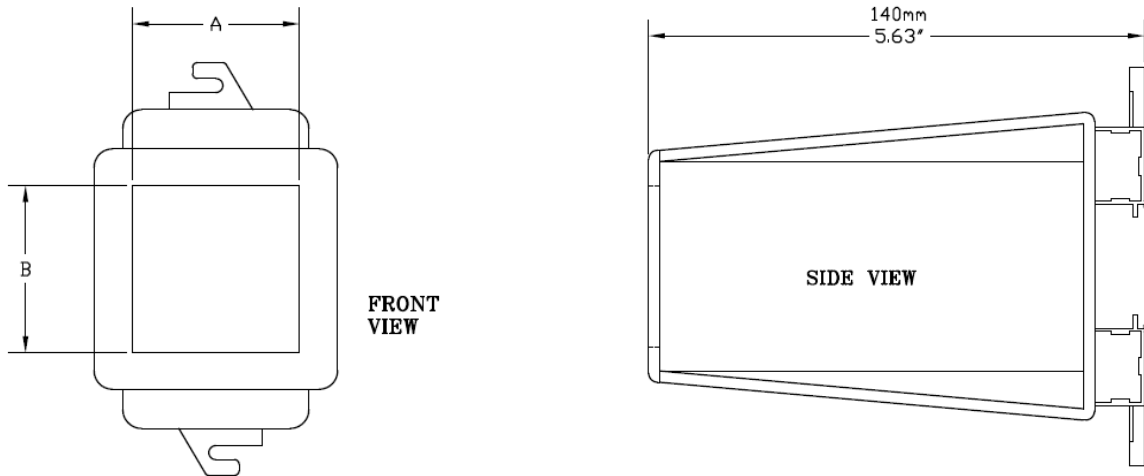


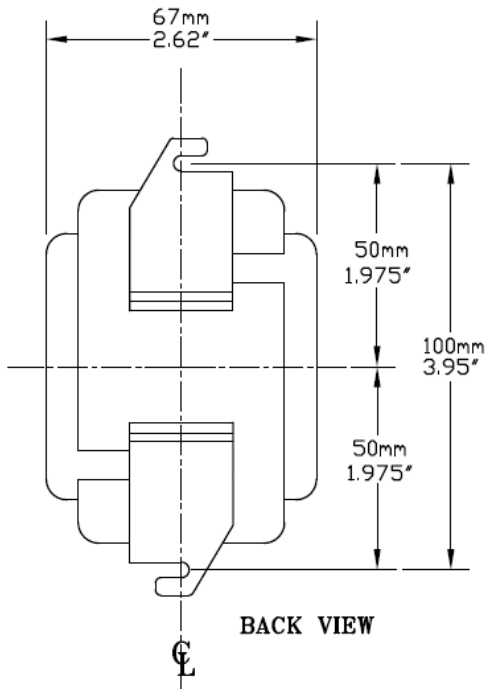
DIN Rail Adapter for DIN Controls

1/32 DIN: DRA32 / 1/16 DIN: DRA16



Part #	Dim A	Dim B	Max. DIN Control Depth
DRA32 1/32 DIN	45mm/1.77"	22mm/0.866"	120mm/4.72"
DRA16 1/16 DIN	45mm/1.77"	45mm/1.772"	120mm/4.72"

Plastic Material:
 Fire Retardant Polycarbonate
 GE Lexan® 940



1/16 DIN Front View

1/32 DIN Front View



1/16 DIN Side View

1/32 DIN Side View

