

FDC-2107i

Windows CE® touch panel Computer with 7" TFT LCD Display



Features

- **Display:** 7" diagonal, 800 x 480 resolution, 65,536 colors, TFT LCD
- **Windows CE.net® v 5.0 embedded Operating System**
- **All in One Platform:**
 Integrated CPU, 64MB DRAM, 128MB RAM & Windows CE.net® OS
- **Fan-less cooling system:**
- **Connectivity ports:** 2-Serial, 1-USB 2.0 and 1-Ethernet (10/100-T)
- **NEMA4/IP65 compliant front panel**
- **Memory:** On board 64MB DRAM, 128MB Flash Memory and one SD card slot

Introduction

The FDC-2107i is a compact touch panel computer with embedded Windows CE.net® operating system. Designed to operate in an industrial environment, it combines an affordable operator color touch screen interface with the power and versatility of the open Windows CE® platform.

Windows CE.net®, an open platform, allows versatility to select the HMI software [written for Windows CE], connect to the controllers/PLCs you use and/or create your own application using Microsoft® Visual Basic or 3rd party software development solutions.

The RISC 400MHz processor (CPU) includes a memory management unit (MMU) that supports the embedded open platform Windows CE.net®. The ARM926EJ core processor integrates a 2D Graphics Accelerator and an added low power mode

Communication Ports: 2-Serial, 1-USB and 1-Ethernet.

Designed to require very low power the FDC-2107i offers Fan-less operation providing reliable operation & long life.

Environmental Specifications

- Operating temperatures: 0° ~ 45°C (32°F ~ 113°F)
- Storage temperatures: -20° ~ 60°C (-4° ~ 140°F)
- Relative Humidity: 10% ~ 90% @40°C, non-condensing.
- Shock (operation): 10 to 25Hz (X, Y & Z direction 2G 30 min)
- EMI: Complies with FCC class A
- CE: Complies with EN 61000-3-2:2006 and EN61000-3-3-1995+A2: 2005
- UL: file # E305816
- Front panel meets IP65 / Nema 4x.

Touchscreen

- Type: 4-wire, analog resistive
- Resolution: continuous
- Light Transmission: above 80%
- Life: 1-million activation minimum

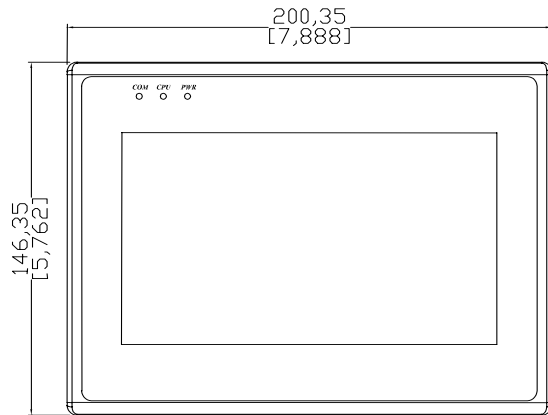
LCD Display

Display type	TFT LCD
Display size (diagonal / W x H)	7" diagonal W x H (7.8" x 5.7" / 200 x 146mm)
Maximum colors	65,536
Resolution	800 x 480
Viewing angle (°)	70/50/70/70 (T/B/R/L)
Luminance (cd/m ²)	300
Storage temperature	-20 ~ 60°C (-4°F ~ 140°F)
Operating temperature	0 ~ 45°C (32°F ~ 113°F)
Backlight	LED
Backlight life time	30,000 hrs.
Contrast ratio	500:1

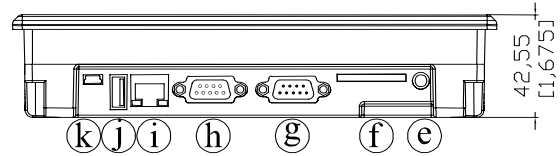
Specifications

- **Construction Materials:**
 Housing: Polybutylene Terephthalate (PBT) and Polycarbonate (PC) supplied with a neoprene gasket.
 Display: Polyethylene Terephthalate (PET).
- **Display:** 7" 65,536 color TFT LCD
- **CPU & Core Logic:** 32 Bits RISC 400 MHz Processor
- **DRAM (Dynamic RAM Memory):** 64MB
- **Storage:** 128MB on-board Flash Memory
 1 SD® card slot
- **I/O:** 2-Serial Ports: Com1: RS232/RS485 2w/4w
 Com2: RS232 (programming only)
 Com3: RS-232/RS485 2w
 1 Ethernet port: 10/100-T
 1-USB port: USB 2.0 high-speed or 1.1 host
- **Sound Output:** Line out.
- **RTC:** Built-in (Real Time Clock)
- **Power Input:** 24±20%, 250mA@24VDC
- **Dimension (W x H x D):** 200 x 146 x 42.5mm (7.8" x 5.7" x 1.67")
- **Weight:** Approx. 0.85kg (1.9lbs)

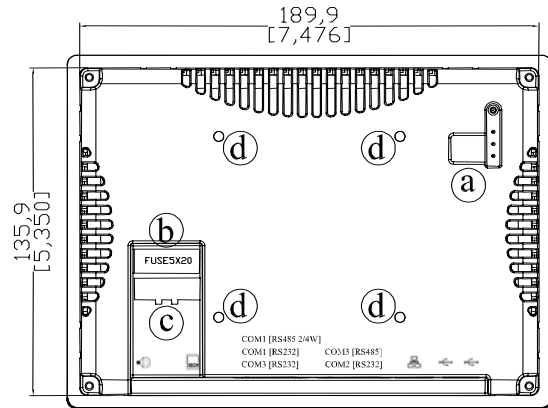
◆ Dimensions Drawing



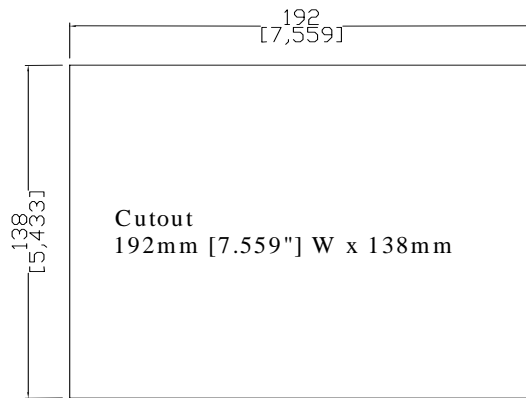
Front View



Bottom View



Rear View



a	DIP SW & Reset button	e	Audio
b	Fuse	f	SD card slot
c	Power connector	g	Com1 RS485, Com3 RS485, Com3 RS232
d	VESA 75mm screw holes	h	Com1 RS232, Com2 RS232
		i	Ethernet port (RJ-45)
		j	USB Host port
		k	USB Client port

Part Number/Matrix Information

FDC2107i: (1) □ □ - (2) □ □

Matrix Codes

- 1: Operating System 50 (Windows CE OS v5.0)
2: Special 00 ("00" characters change to define special)

Refer to [FDC-200-TV2_Accessories.pdf](#) for following:

- Ethernet CAT5E Patch & Crossover Cables 7ft to 100ft
- See acc list
- USB 6ft cables & Extension 16 ft cables
- USB Panel Mount Adapters: Standard & Nema 4X

7" 800x480 TFT LCD, 128MB flash memory/64MB DDR2 RAM on board.