

FDC-610-XH

Touch Panel Computer with 10.4" SVGA TFT display Embedded Windows XP® or CE® operating systems



Features

- 10.4" SVGA TFT LCD
- AMD Geode™ LX800/500MHz core processor
- Fan-less cooling system
- Disk on Module (DOM) with Embedded Windows XP or CE OS
- NEMA4/IP65 compliant front panel
- SDRAM: 256MB DDR-400MHz
- 44-pin IDE interface and SD Card Slot
- 2 Year Warranty

Introduction

The FDC-610-XH is a compact touch panel computer with embedded Windows XP® or CE.net® operating systems. Designed to operate in an industrial environment, it combines an affordable operator color touch screen interface with the power and versatility of Windows XP® or CE® platforms.

The x86 CPU Core provides compatibility with internet communication and the integration of multiple functions make the AMD Geode® LX processor a true system level multimedia solution.

Designed to require very low power the FDC-610-XH offers fan-less operation providing reliable operation & long life.

Environmental Specifications

- Operating temperatures: 0° ~ 45°C (32°F ~ 113°F)
- Relative Humidity: 10% ~ 90% @40°C, non-condensing.
- Shock (operation): 10 to 25Hz (X, Y & Z direction 2G 30 min)
- EMI: Complies with FCC class A
- CE: Complies with EN50081-2 and EN50082-2.
- Nema 4X / IP65 : Front panel compliant
- UL: NRAQ / File # E305816

Touchscreen

- Type: 4-wire, analog resistive
- Resolution: continuous
- Touch Accuracy: Active Area Length (X) ±2% and Width (Y) ±2%
- Light Transmission: above 80%
- Life: 1-million activation minimum

LCD Display

| Display type | TFT LCD |
|--------------------------------|-----------------------------|
| Display size (diagonal) | 10.4" |
| Max colors | 65,536 (16 Bit) |
| Resolution | 800 x 600 |
| Viewing angle (°) | 45 / 65 / 65 / 65 (T/B/R/L) |
| Luminance (cd/m ²) | 400 |
| Backlight | LED |
| Backlight life time (avg.) | 30,000 hrs. |
| Contrast ratio | 400:1 |

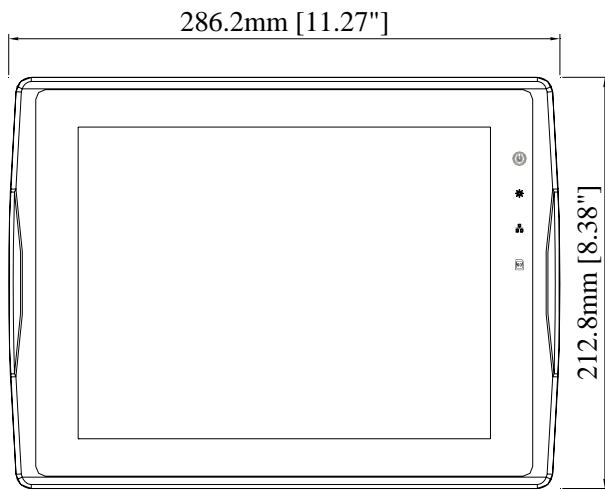
Specifications

- Construction: Polybutylene Terephthalate (PBT) and Polycarbonate (PC)
- CPU: AMD Geode® LX800/500MHz core processor
- Serial Ports: Com1: RS232/RS485 2w/4w
Com2: RS232 (programming only)
Com3: RS-232/RS485 2w
- Ethernet port (10/100-T)
- 3-USB 2.0 full-speed host (12Mbps): 2 Standard & 1 Mini USB
- Sound Output: AC'97 Stereo output (20 Bit)
- RTC: Built-in (Real Time Clock)
- Power Input: 24VDC, 1.25A@24VDC
- Dimension (W x H x D): 286 x 212 x 50mm
(11.27" x 8.38" x 1.97")
- Weight: Approx. 1.6kg (3.52lbs)

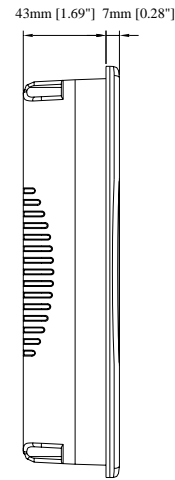
Memory

- SDRAM: 256MB (DDR-400MHz)
- 44-pin IDE interface
- SD Card Slot
- DOM (disk on module)
 - Windows XP® Embedded OS 2GB (~ 80MB for OS)
 - Windows CE® v5.0 Embedded OS 265MB

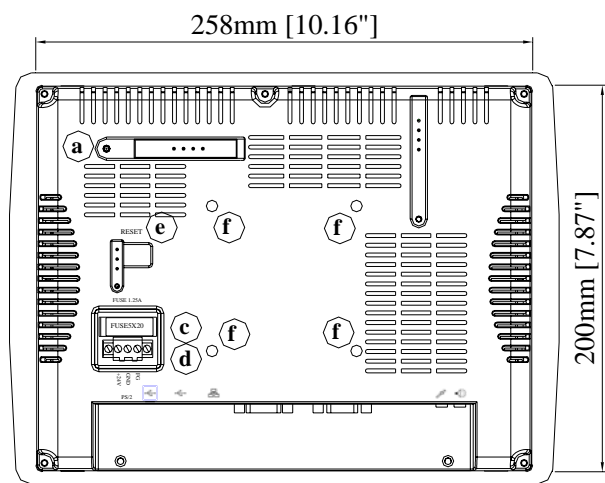
◆ Dimensions Drawing



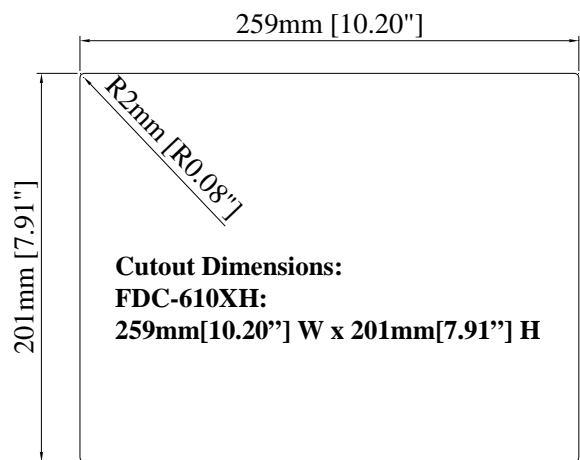
Front View



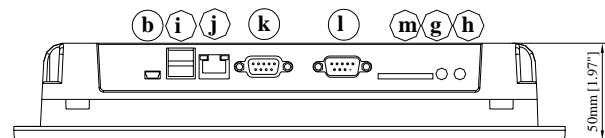
Side View



Rear View



Cutout Dimensions:
FDC-610XH:
259mm[10.20\"] W x 201mm[7.91\"] H



Bottom View

| | | | |
|----------|---------------------------------|----------|---|
| A | IDE Interface (DOM Slot) | H | Line Out |
| B | Option | I | USB Host Port x 2 |
| C | Fuse | J | Ethernet Port 10/100 Base-T |
| D | Power Connector | K | Com1 RS485, Com3 RS485, Com3 RS232 |
| E | Reset Button | L | Com1 RS232, Com2 RS232 |
| F | VESA 75mm Screw Holes | M | SD CARD SLOT |
| G | Mic In | | |

Part Number Matrix / Information

FDC-610-XH - □□□□□ (enter 5 digit order code)

Matrix Codes

| Order Code | Embedded Operating System | DOM Memory |
|------------|---------------------------|--------------------------------|
| CE256 | Windows CE® v5.0 | (256 MB DOM* w/CE OS embedded) |
| XPE2G | Windows XP® | (2 GB DOM* w/XP OS embedded) |

*DOM is Disk on Module (microchip)

Future Design Controls, Inc.
P.O. Box 1196/Bridgeview, IL 60455
Office: 888.751.5444 / Fax: 888.307.8014
Technical Support: 866.342.5332
<http://www.futuredesigncontrols.com>