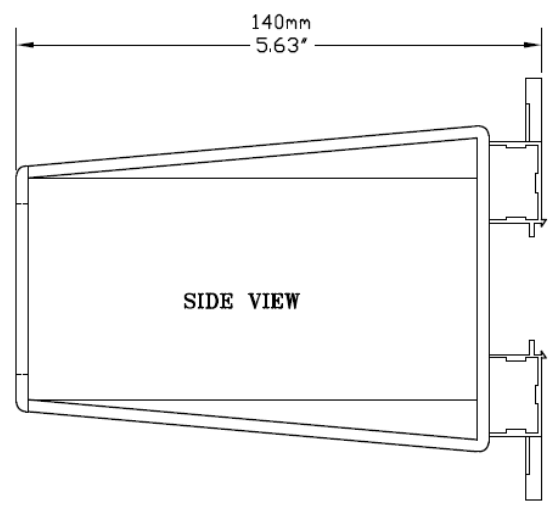
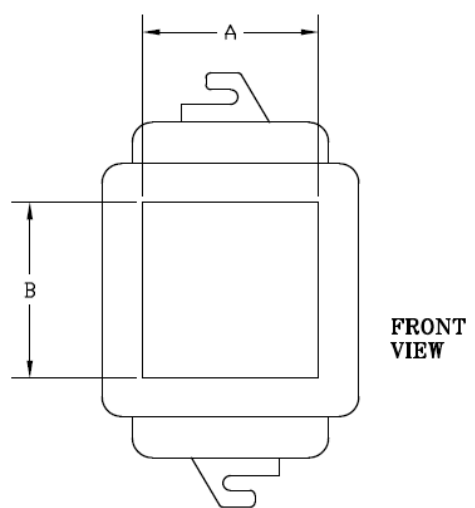


**DIN Rail Adapter**

**BASE PRICING:**  
 1/32 DIN DRA 32 & 1/16 DIN DRA16     \$20.00

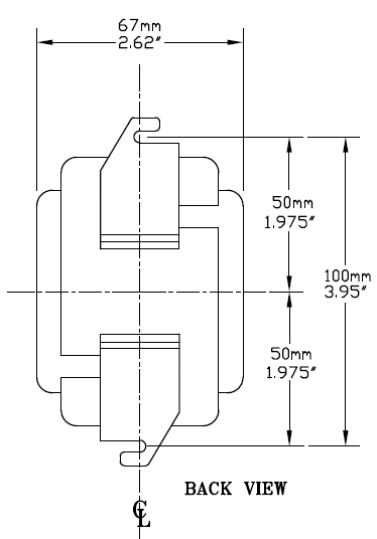
Terminal Mount DIN Rail Adapter for 1/16 DIN Models FDC-9100 and FDC-P91  
 refer to DIN Control Accessories page 30

Schedule A



Part #	Dim A	Dim B	Max. DIN Control Depth
DRA32	45mm/1.77"	22mm/0.8666"	120mm/4.72"
1/32 DIN			
DRA16	45mm/1.77"	45mm/1.772"	120mm/4.72"
1/16 DIN			

**Plastic Material:**  
 Fire Retardant Polycarbonate GE Lexan® 940



DRA16 Side View with control installed

DRA16 Front View with control installed



P.O. Box 1196     ·     Bridgeview, IL 60455  
 888.751.5444 Sales     ·     888.307.8014 Fax  
 Technical Support: 866.342.5332  
<http://www.futuredesigncontrols.com>