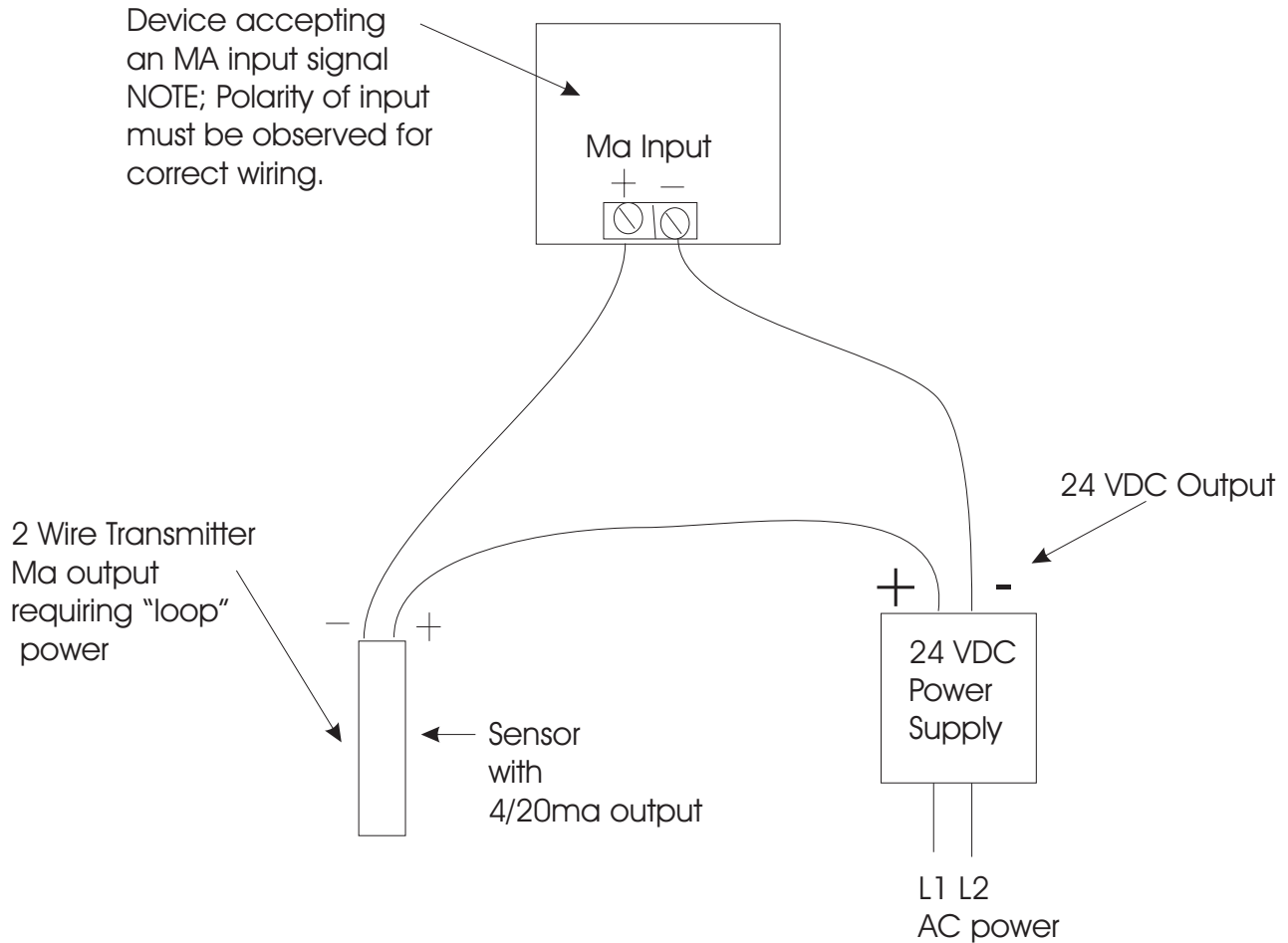


External Power Supply Transmitter Current Loop

An external VDC power supply can be used to "loop" power transmitters used with various recorders/controllers.
Caution must be used to verify that the loop "load" does not exceed sensor specifications.

See drawing below.



Note; Sensor shown as a typical 2 wire transmitter
A 24 VDC external power supply is "looped"
to a control/recorder input that accepts an MA input